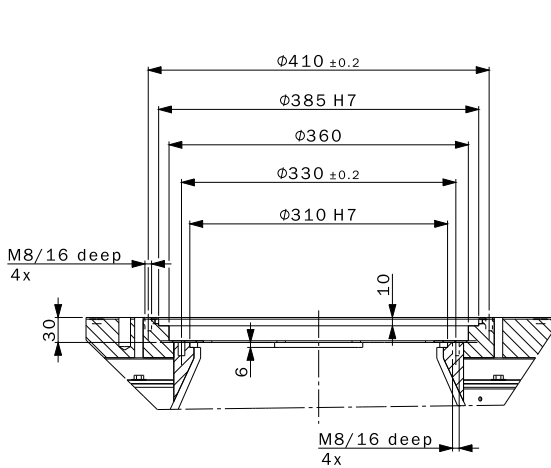
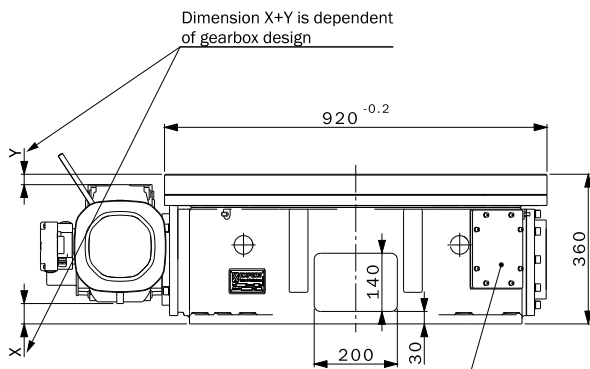
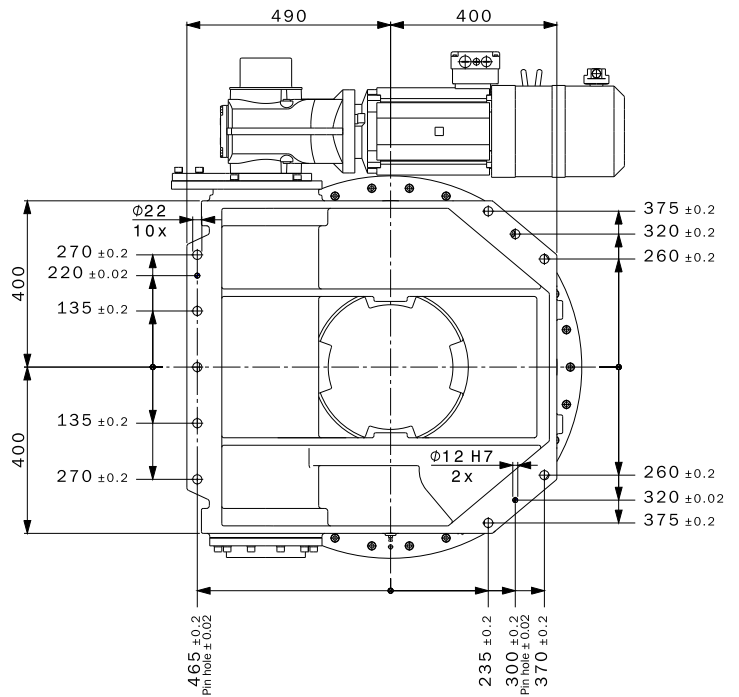


Data sheet – Turntable – EDH+1170

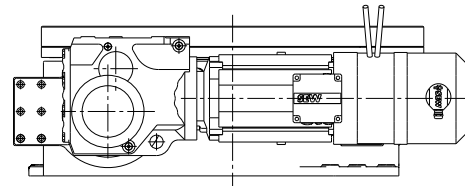
Indexing Table for vertical and horizontal applications.



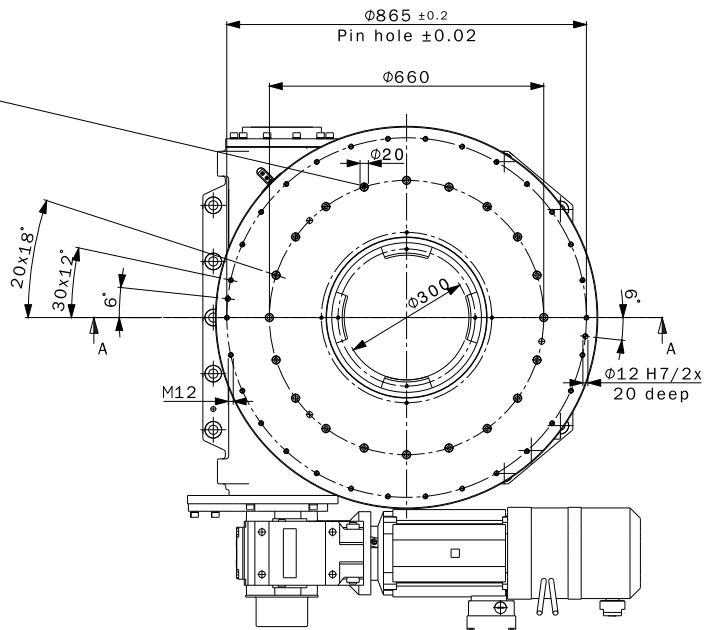
Section A-A



Dimension X+Y is dependent of gearbox design



Attention!!!
Cam follower bolt fasteners
and assembly opening must
be freely accessible



Data sheet – Turntable – EDH+1170

Indexing Table for vertical and horizontal applications.

Technical Data of the EDH+1170

Dimensions

Type	EDH+1170	
Height	360	mm
Dialplate Diameter	620	mm
Middle passage	300	mm
Recommended outer diameter \emptyset	6200	mm
Weight	870	kg
Oil quantity CLP 460	6	l

Loads on Dialplate*

static Tilt moment M_{tilt}	24000	Nm
static Axial Force F_{axial}	130000	N
static Radial Force F_{radial}	61000	N
dynamic Output Torque M_{output}	20000	Nm

*Combined loads only after verification by EXPERT-TÜNKERS

EDH-series:

Type	Load capacity [kg]	M_{output} [Nm]
EDH 410	Coming soon	Coming soon
EDH 465	Coming soon	Coming soon
EDH 500	Coming soon	Coming soon
EDH+610	2.200	1.500
EDH+700	6.000	2.400
EDH+810	8.000	6.400
EDH+960	10.000	11.000
EDH+1170	13.000	20.000
EDH 1370	25.000	25.000
EDH 1600	34.000	40.000
EDH 2050	47.500	60.000
EDH 2550	60.000	127.000
EDH 3250	82.000	145.000

Accessories:

- [ETSR rotary distributor](#)
- Frequency inverters and motors
 - | Standard SEW
 - | optional other manufacturers
 - | Motor adaptations/ couplings
- Cable protectors
- External switches for position and overtravel
- Referencing pegs
- Pegs for maintenance
- Precision Locks
- Tool carriers
- Foundation or levelling plates
- Platforms and elevations
- | [Other accessories](#) and versions on request

Standard:

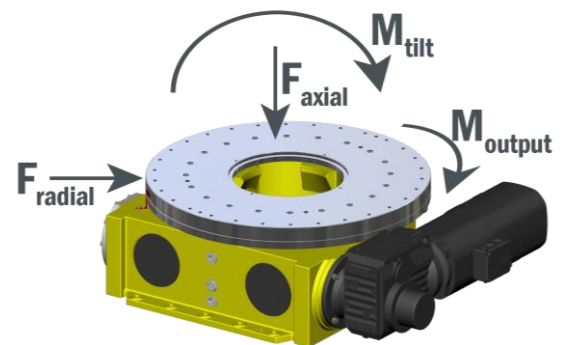
Colours:

- Standard colour RAL7035 (Light Grey)

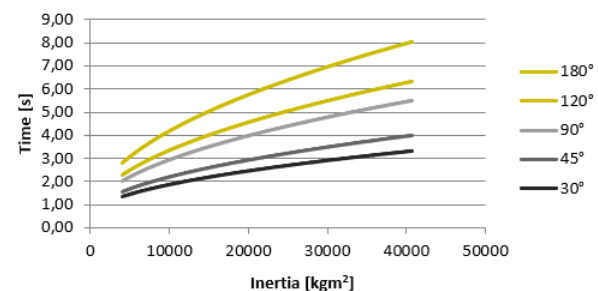
Drive: Bevel gear and servo motor

Specifications:

- Accuracy 31''
 - Repeatability 13''
- without control, purely mechanical



Performance EDH+1170



*Index times were determined for standard configurations, Deviation possible.

Product details:

https://www.expert-tuenkers.de/products/rotary-tables-trunnion-drives/mn_44497

Inquiry form:

https://www.expert-tuenkers.de/checklist-rotary-table/pg_053b0762_b030_c0c4_90a7cb25377ca500

3D Model:

<https://configurator.expert-tuenkers.de/en/turntable-configurator>

Contact:

https://www.expert-tuenkers.de/contact/contact/contact-sales-department/mn_45437?sprache=EN

For further information and project inquiries please contact us at sales@expert-tuenkers.de