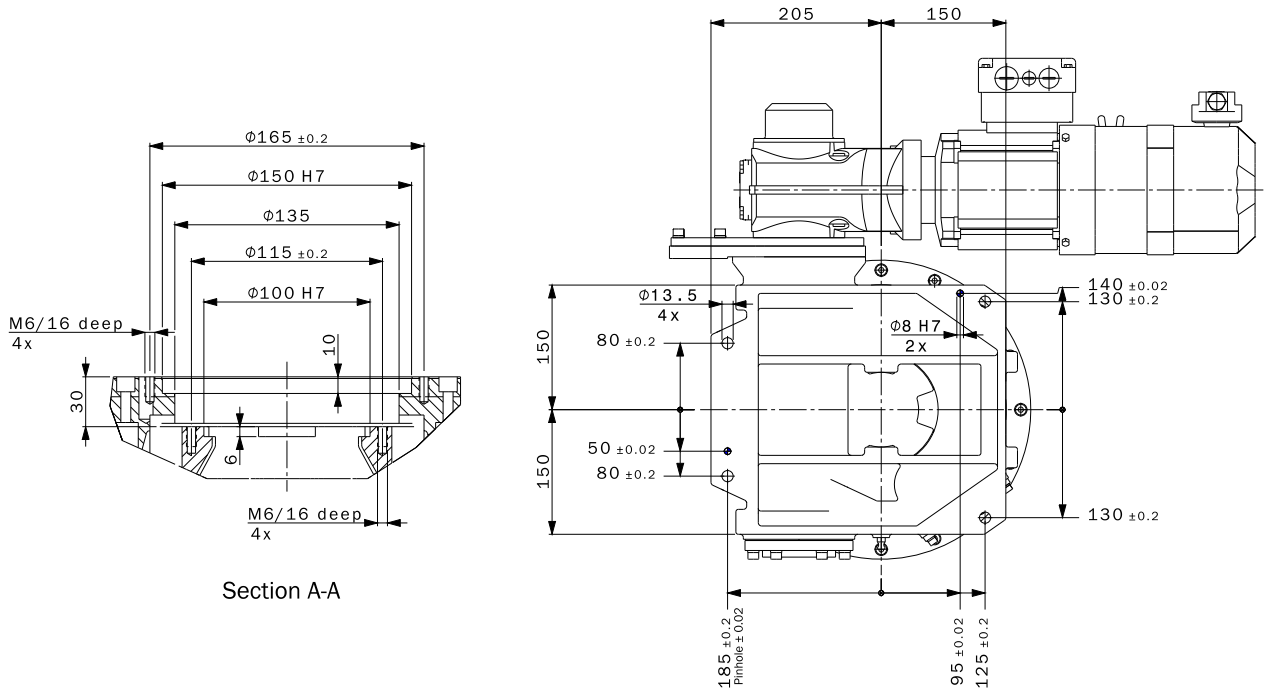
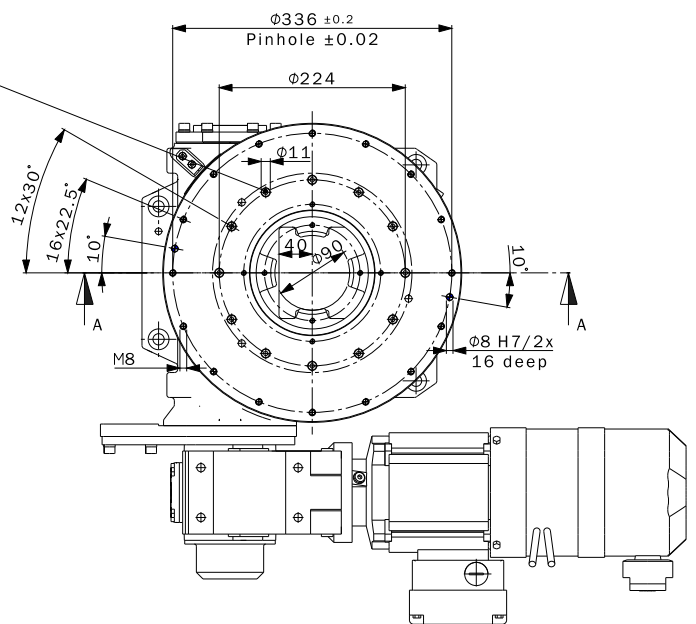
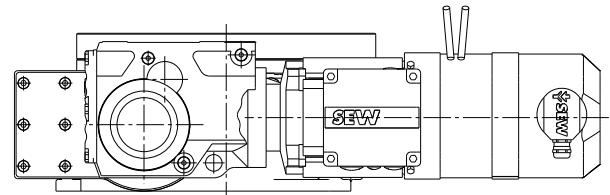
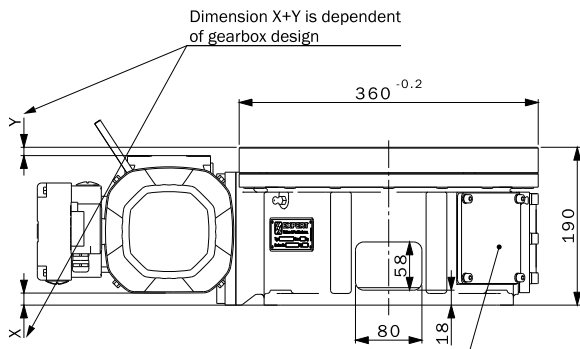


# Data sheet – Turntable – EDH+610

Indexing Table for vertical and horizontal applications.



Section A-A



# Data sheet – Turntable – EDH+610

Indexing Table for vertical and horizontal applications.

## Technical Data of the EDH+610

### Dimensions

Type	EDH+610	
Height	190	mm
Dialplate Diameter	360	mm
Middle passage	60	mm
Recommended outer diameter $\emptyset$	2300	mm
Weight	120	kg
Oil quantity CLP 460	1	l

### Loads on Dialplate\*

static Tilt moment $M_{\text{tilt}}$	1600	Nm
static Axial Force $F_{\text{axial}}$	22000	N
static Radial Force $F_{\text{radial}}$	10000	N
dynamic Output Torque $M_{\text{ab}}$	1500	Nm

\*Combined loads only after verification by EXPERT-TÜNKERS

### EDH-series:

Type	Load capacity [kg]	$M_{\text{output}}$ [Nm]
EDH 410	Coming soon	Coming soon
EDH 465	Coming soon	Coming soon
EDH 500	Coming soon	Coming soon
<b>EDH+610</b>	<b>2.200</b>	<b>1.500</b>
EDH+700	6.000	2.400
EDH+810	8.000	6.400
EDH+960	10.000	11.000
EDH+1170	13.000	20.000
EDH 1370	25.000	25.000
EDH 1600	34.000	40.000
EDH 2050	47.500	60.000
EDH 2550	60.000	127.000
EDH 3250	82.000	145.000

### Accessories:

- [ETSR rotary distributor](#)
- Frequency inverters and motors
  - | Standard SEW
  - | optional other manufacturers
  - | Motor adaptations/ couplings
- Cable protectors
- External switches for position and overtravel
- Referencing pegs
- Pegs for maintenance
- Precision Locks
- Tool carriers
- Foundation or levelling plates
- Platforms and elevations
- | [Other accessories](#) and versions on request

### Standard:

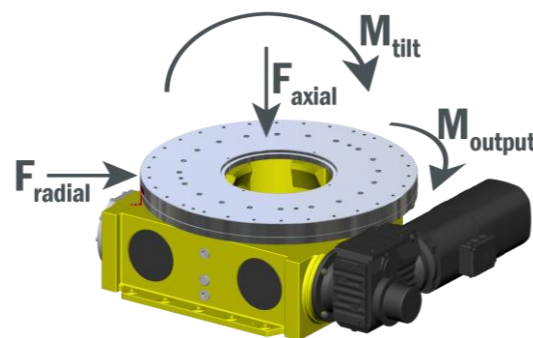
### Colours:

- standard colour RAL7035 (Light Grey)

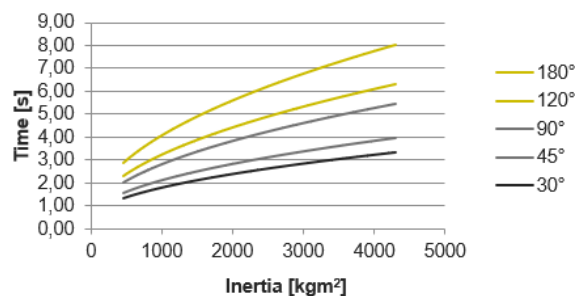
**Drive:** Bevel gear and servo motor

### Specifications:

- Accuracy 98''
  - Repeatability 49''
- without control, purely mechanical



### Performance EDH+610/5000



\*Index times were determined for standard configurations, Deviation possible.

### Product details:

[https://www.expert-tuenkers.de/products/rotary-tables-trunnion-drives/mn\\_44497](https://www.expert-tuenkers.de/products/rotary-tables-trunnion-drives/mn_44497)

### Inquiry form:

[https://www.expert-tuenkers.de/checklist-rotary-table/pg\\_053b0762\\_b030\\_c0c4\\_90a7cb25377ca500](https://www.expert-tuenkers.de/checklist-rotary-table/pg_053b0762_b030_c0c4_90a7cb25377ca500)

### 3D Model:

<https://configurator.expert-tuenkers.de/en/turntable-configurator>

### Contact:

[https://www.expert-tuenkers.de/contact/contact/contact-sales-department/mn\\_45437?sprache=EN](https://www.expert-tuenkers.de/contact/contact/contact-sales-department/mn_45437?sprache=EN)

For further information and project inquiries please contact us at [sales@expert-tuenkers.de](mailto:sales@expert-tuenkers.de)