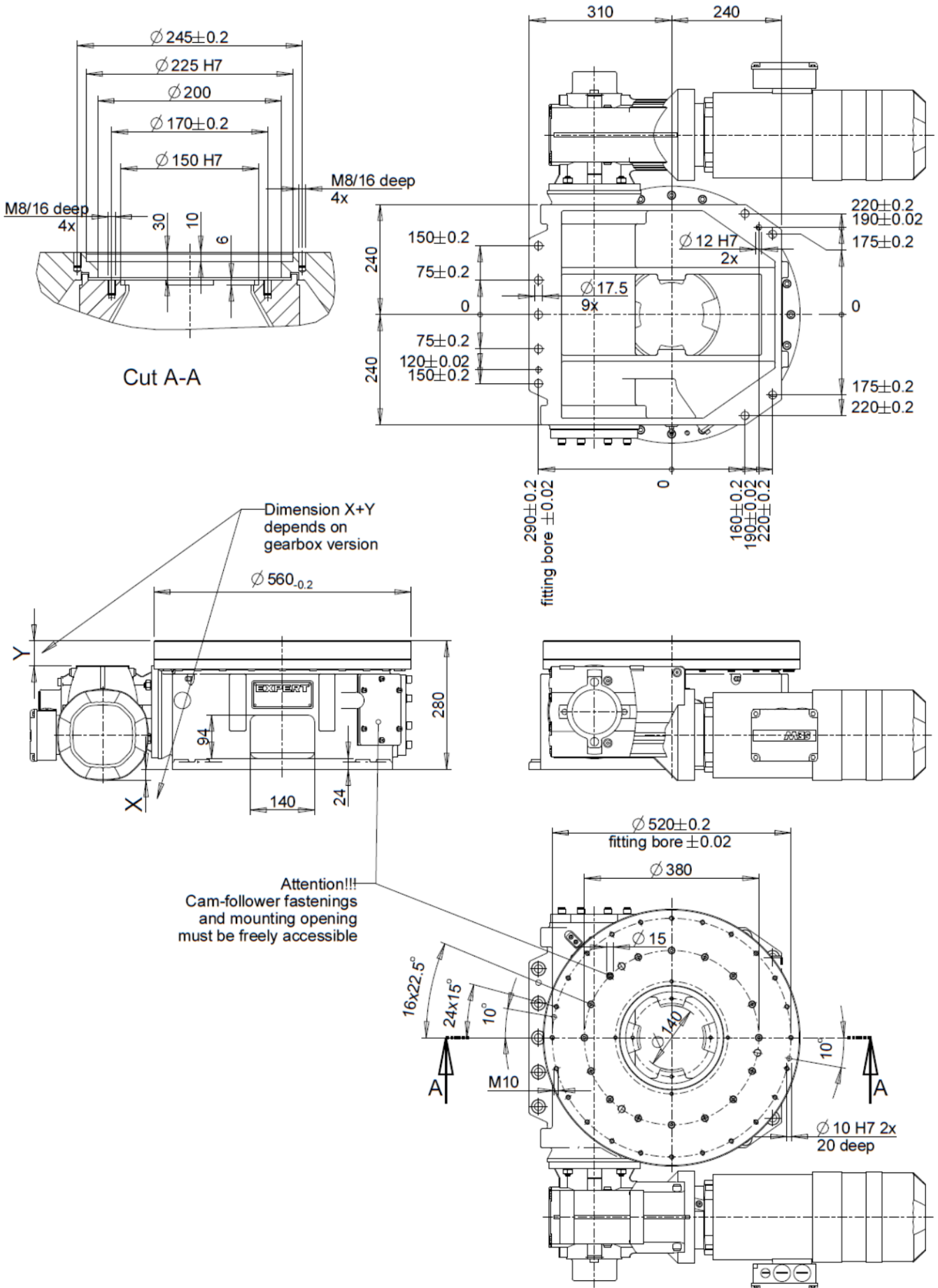


Data sheet – Turntable – EDH+810

Indexing Table for vertical and horizontal applications.



Data sheet – Turntable – EDH+810

Indexing Table for vertical and horizontal applications.

Technical Data of the EDH+810

DIMENSIONS

Type	EDH+810	
Height	280	mm
Dialplate Diameter	560	mm
Middle passage	140	mm
Recommended outer diameter \varnothing	3600	mm
Weight	350	kg
Oil quantity CLP 460	2,5	l

LOADS ON DIALPLATE*

static Tilt moment M_{tilt}	8000	Nm
static Axial Force F_{axial}	80000	N
static Radial Force F_{radial}	35000	N
dynamic Output Torque M_{output}	6400	Nm

*Combined loads only after verification by EXPERT-TÜNKERS

Standard:

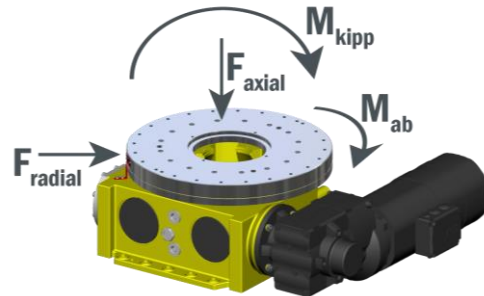
Colours:

- solid parts: 7035 RAL (light grey)
- moving parts: 2003 RAL (Pastel orange)

Drive: SEW Bevel gear and servo geared motor

Specifications:

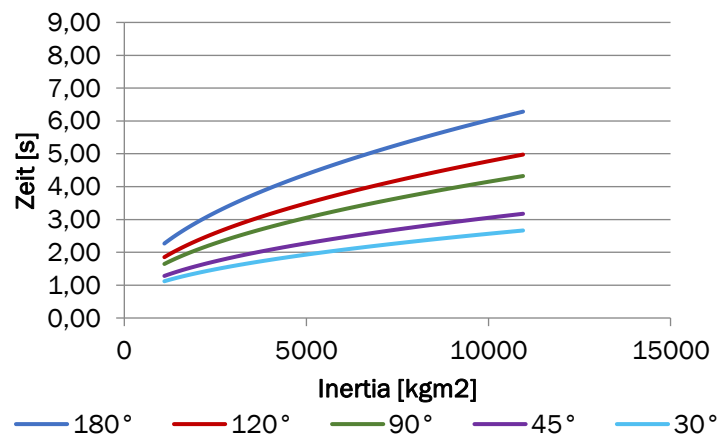
- Accuracy 54''
 - Repeatability 27''
- | without control, purely mechanical



Further products of the EXPERT-EDH series:

Type	Load capacity [kg]	M_{output} [Nm]
EDH+610	2200	1500
EDH+700	6000	2400
EDH+810	8000	6400
EDH+960	10000	11000
EDH+1170	13000	20000

Performance EDH+810



Accessories:

- [ETSR rotary distributor](#)
- Frequency inverters and motors
| Standard SEW
| optional other manufacturers
| Motor adaptations/ couplings
- Cable protectors
- External switches for position and overtravel
- Referencing pegs
- Pegs for maintenance
- Precision Locks
- Tool carriers
- Foundation or levelling plates
- Platforms and elevations

[Other accessories](#) and versions on request

Product details:

www.expert-tuenkers.de/products

Contact

www.expert-tuenkers.de > Sales

For further information and project inquiries please contact us at sales@expert-tuenkers.de

*Index times were determined for standard configurations, Deviation possible.