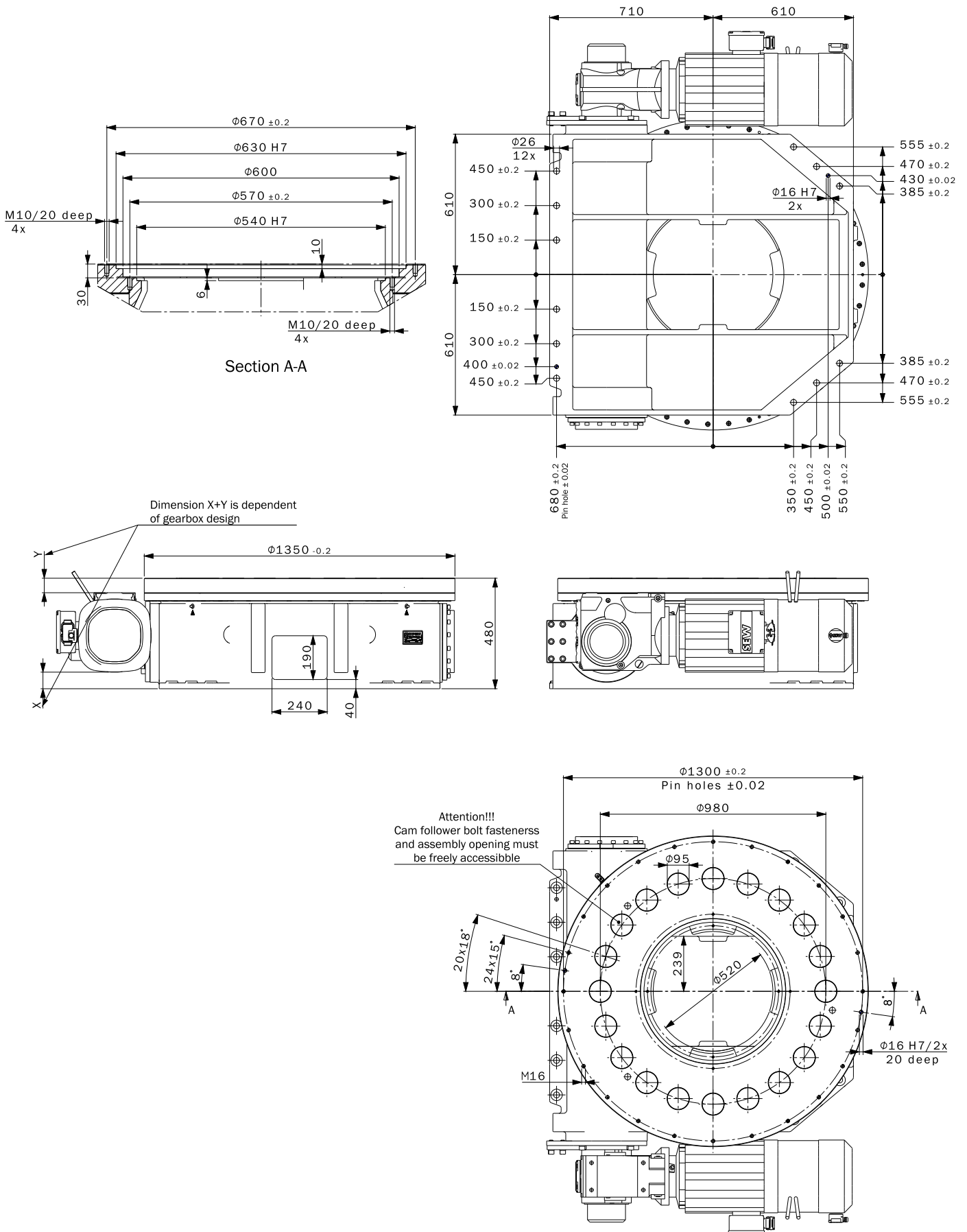


Data sheet – Turntable – EDH 1600

Indexing Table for vertical and horizontal applications.



Data sheet – Turntable – EDH 1600

Indexing Table for vertical and horizontal applications.

Technical Data of the EDH 1600

Dimensions

Type	EDH 1600	
Height	480	mm
Dialplate Diameter	1.350	mm
Middle passage	520	mm
Recommended outer diameter \varnothing	9.800	mm
Weight	2.400	kg
Oil quantity CLP 460	16	l

Loads on Dialplate*

Static Tilt Moment M_{tilt}	76.000	Nm
Static Axial Force F_{axial}	260.000	N
Static Radial Force F_{radial}	120.000	N
Dynamic Output Torque M_{output}	40.000	Nm

*Combined loads only after verification by EXPERT-TÜNKERS

EDH-series:

Type	Load capacity [kg]	M_{output} [Nm]
EDH 410	Coming soon	Coming soon
EDH 465	Coming soon	Coming soon
EDH 500	Coming soon	Coming soon
EDH+610	2.200	1.500
EDH+700	6.000	2.400
EDH+810	8.000	6.400
EDH+960	10.000	11.000
EDH+1170	13.000	20.000
EDH 1370	25.000	25.000
EDH 1600	34.000	40.000
EDH 2050	47.500	60.000
EDH 2550	60.000	127.000
EDH 3250	82.000	145.000

Accessories:

- [ETSR rotary distributor](#)
- Frequency inverters and motors
| Standard SEW
| optional other manufacturers
| Motor adaptations/ couplings
- Cable protectors
- External switches for position and overtravel
- Referencing pegs
- Pegs for maintenance
- Precision Locks
- Tool carriers
- Foundation or levelling plates
- Platforms and elevations
| [Other accessories](#) and versions on request

Standard:

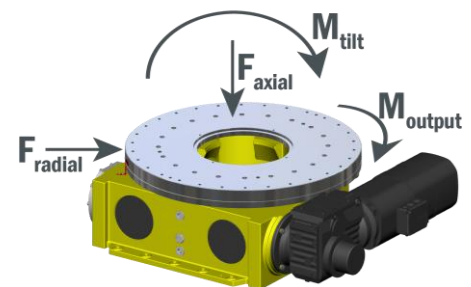
Colours:

- standard colour RAL7035 (Light Grey)

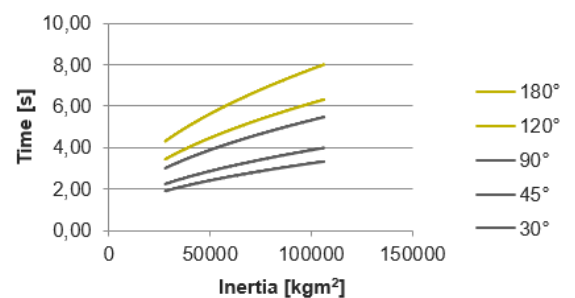
Drive: Bevel geared, servo motor

Specifications:

- Accuracy = 21"
- Repeatability = 10"
without control, purely mechanical



Performance EDH 1600



*Index times were determined for standard configurations, Deviation possible.

Product details:

https://www.expert-tuenkers.de/products/rotary-tables-trunnion-drives/mn_44497

Inquiry form:

https://www.expert-tuenkers.de/checklist-rotary-table/pg_053b0762_b030_c0c4_90a7cb25377ca500

3D Model:

<https://configurator.expert-tuenkers.de/en/turntable-configurator>

Contact:

https://www.expert-tuenkers.de/contact/contact/contact-sales-department/mn_45437?sprache=EN

For further information and project inquiries please contact us at sales@expert-tuenkers.de