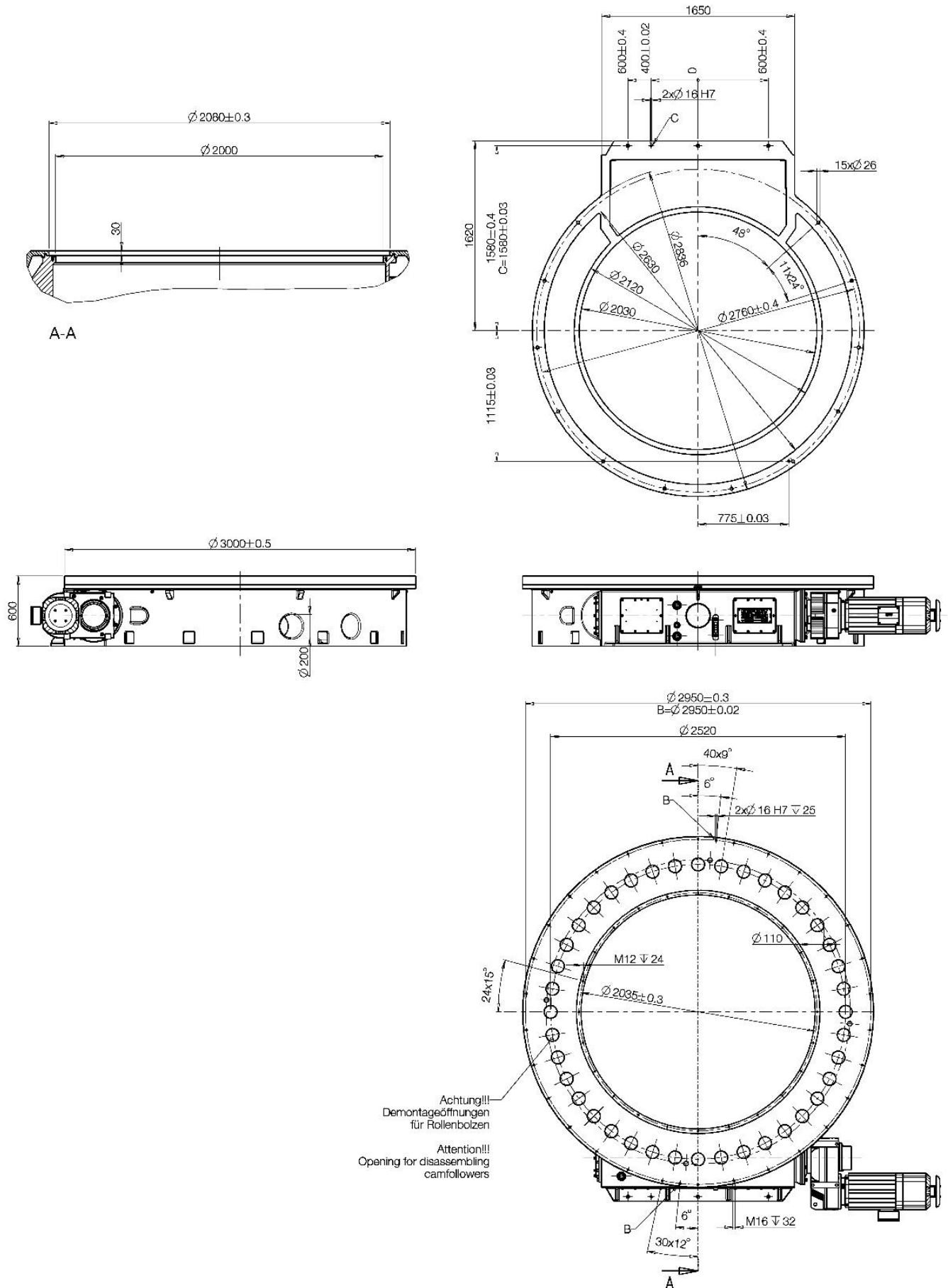


# Data sheet – Turntable – EDH 3250

Indexing Table for vertical and horizontal applications.



# Data sheet – Turntable – EDH 3250

Indexing Table for vertical and horizontal applications.

## Technical Data of the EDH 3250

### Dimensions

Type	EDH 3250	
Height	600	mm
Dialplate Diameter	3.000	mm
Middle passage	2.000	mm
Recommended outer diameter $\varnothing$	10.000	mm
Weight	6.800	kg
Oil quantity SP 680	60	l

### Loads on Dialplate\*

Static Tilt Moment $M_{\text{tilt}}$	430.000	Nm
Static Axial Force $F_{\text{axial}}$	640.000	N
Static Radial Force $F_{\text{radial}}$	300.000	N
Dynamic Output Torque $M_{\text{output}}$	145.000	Nm

\*Combined loads only after verification by EXPERT-TÜNKERS

### EDH-series:

Type	Load capacity [kg]	$M_{\text{output}}$ [Nm]
EDH 410	Coming soon	Coming soon
EDH 465	Coming soon	Coming soon
EDH 500	Coming soon	Coming soon
EDH+610	2.200	1.500
EDH+700	6.000	2.400
EDH+810	8.000	6.400
EDH+960	10.000	11.000
EDH+1170	13.000	20.000
EDH 1370	25.000	25.000
EDH 1600	34.000	40.000
EDH 2050	47.500	60.000
EDH 2550	60.000	127.000
<b>EDH 3250</b>	<b>82.000</b>	<b>145.000</b>

### Accessories:

- [ETSR rotary distributor](#)
- Frequency inverters and motors  
| Standard SEW  
| optional other manufacturers  
| Motor adaptations/ couplings
- Cable protectors
- External switches for position and overtravel
- Referencing pegs
- Pegs for maintenance
- Precision Locks
- Tool carriers
- Foundation or levelling plates
- Platforms and elevations  
| [Other accessories](#) and versions on request

### Standard:

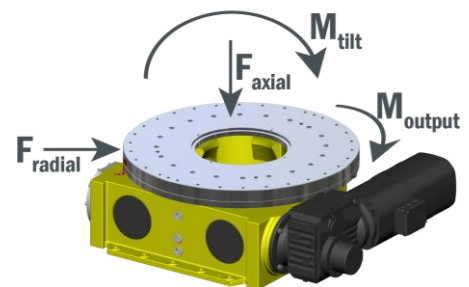
#### Colours:

- standard colour RAL7035 (Light Grey)

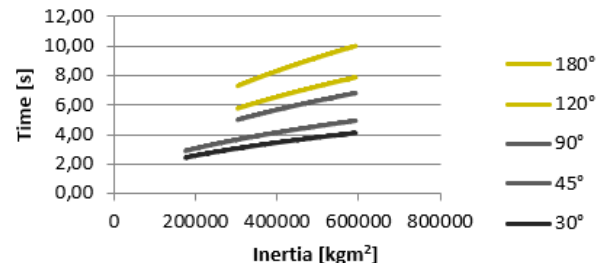
**Drive:** Bevel geared, servo motor

#### Specifications:

- Accuracy = 8"
- Repeatability = 4"  
*without control, purely mechanical*



### Performance EDH 3250



\*Index times were determined for standard configurations, Deviation possible.

### Product details:

[https://www.expert-tuenkers.de/products/rotary-tables-trunnion-drives/mn\\_44497](https://www.expert-tuenkers.de/products/rotary-tables-trunnion-drives/mn_44497)

#### Inquiry form:

[https://www.expert-tuenkers.de/checklist-rotary-table/pg\\_053b0762\\_b030\\_c0c4\\_90a7cb25377ca500](https://www.expert-tuenkers.de/checklist-rotary-table/pg_053b0762_b030_c0c4_90a7cb25377ca500)

#### 3D Model:

<https://configurator.expert-tuenkers.de/en/turntable-configurator>

#### Contact:

[https://www.expert-tuenkers.de/contact/contact/contact-sales-department/mn\\_45437?sprache=EN](https://www.expert-tuenkers.de/contact/contact/contact-sales-department/mn_45437?sprache=EN)

For further information and project inquiries please contact us at [sales@expert-tuenkers.de](mailto:sales@expert-tuenkers.de)