

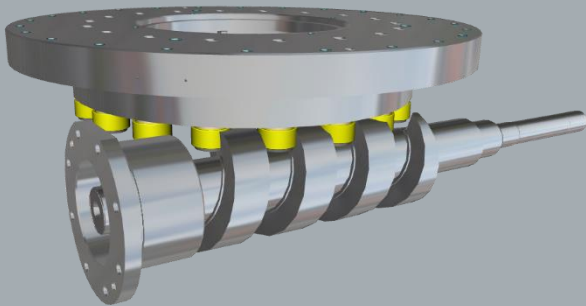
EXPERT TURNTABLE EDH⁺

April 2023
INDEX | External



The EDH+:

Why more power?



EDH+ sizes:

EDH+610
EDH+700
EDH+810
EDH+960
EDH+1170

Expert - rotary table - high performance series EDH

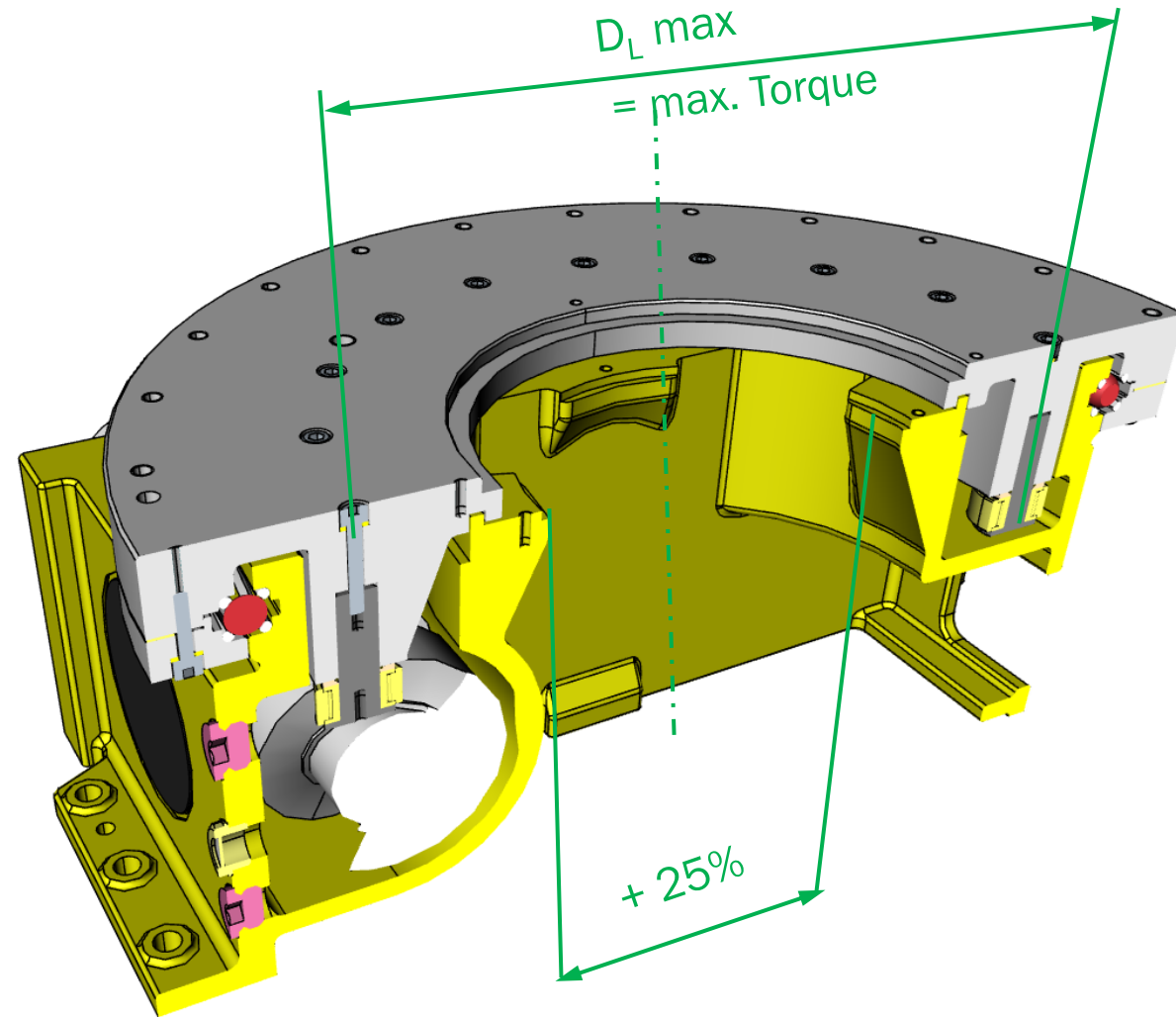
Flexible rotary tables and drum drives with maximum torque in an extremely compact design have that been available for more than 10 years.

- Increased requirements due to condensation of work sequences
- Shorter turning times lead to productivity gains
- Same dimensions with higher output -> More compact overall system
- Wider range with the same table -> Design reserve for the customer
- Interchangeability in case of additional requirements for the 4th generation (space requirement and interfacing)

The EDH+ > features

New cam-follower >

- Larger running circle diameter (DL)
- Use of larger cam-followers (dB) possible, with higher load rating
- Up to 67% more torque with similar installation space
- Up to 25% larger center passage (Di) (EDH+960) More space for media feedthroughs
- Compatibility regarding
 - Interface output flange
 - customer design
 - Table top diameter
 - Overall height



EDH⁺ advantages

Optimized motion profile

More dynamics possible due to higher torque

Result: reduced turning times
Increased productivity

Optimized emergency stop behavior

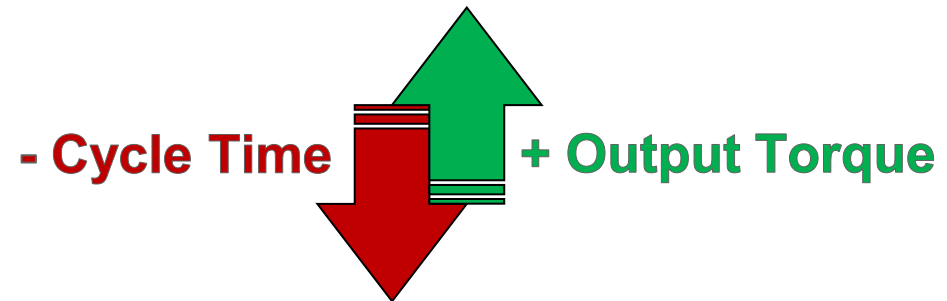
Avoidance of mechanical damage in case of overload due to force distribution on several roller pins

Optimized size

Higher torques with the same size



Optimized power transmission due to a minimum of three constantly engaged cam followers at any time – the reliable EXPERT-TÜNKERS Multi-Cam-Follower Principle!



EDH⁺ advantages

Maximum surface area

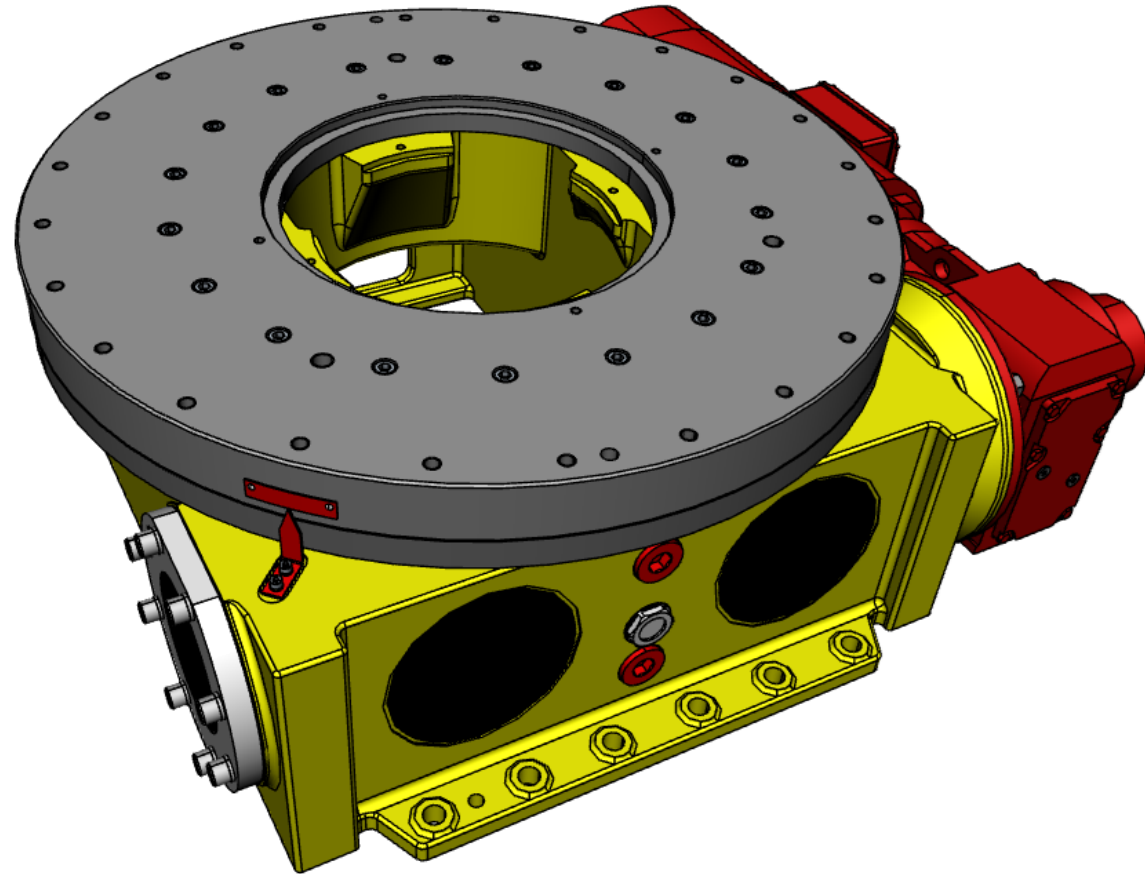
One-piece and closed table top
Flat mounting surface and centering

Optimal media passage

Maximum center passage
Problem-free media passage

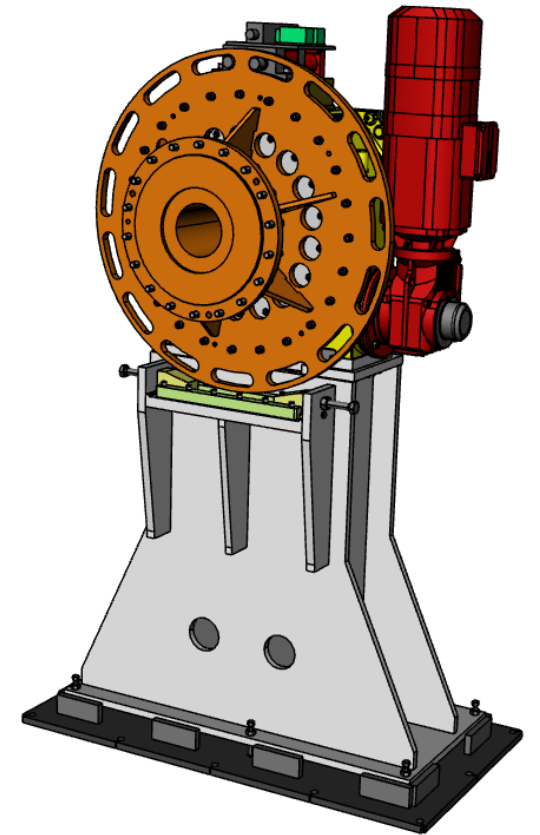
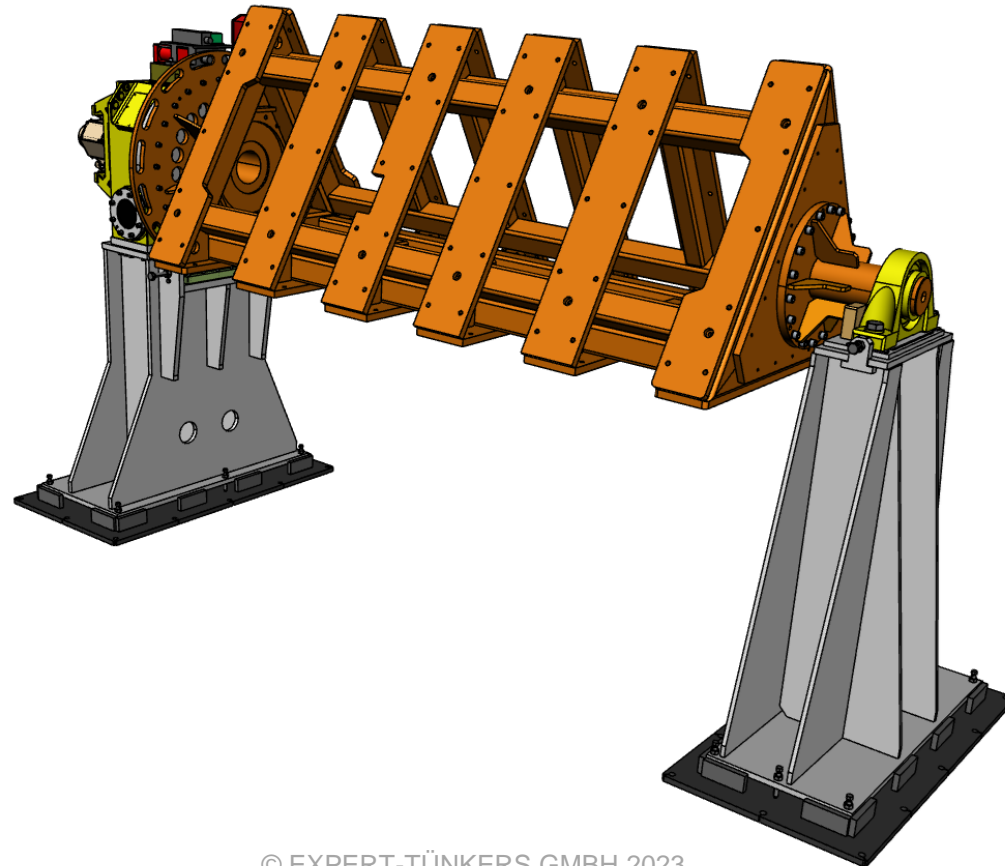
Large bearing diameter

Bearing on the outer edge of the table top



Also EXPERT TRUNNION SYSTEM, ETS Variant for horizontal axes

- Turn-Key EXPERT TRUNNION-SYSTEM, ETS with flexible drives of the EXPERT EDH+ series.
- Individual adaptation of the fixture carrier according to customer requirements.
- Planning, design, manufacture, assembly, installation and commissioning on site - all from a single source.



EDH⁺ Series

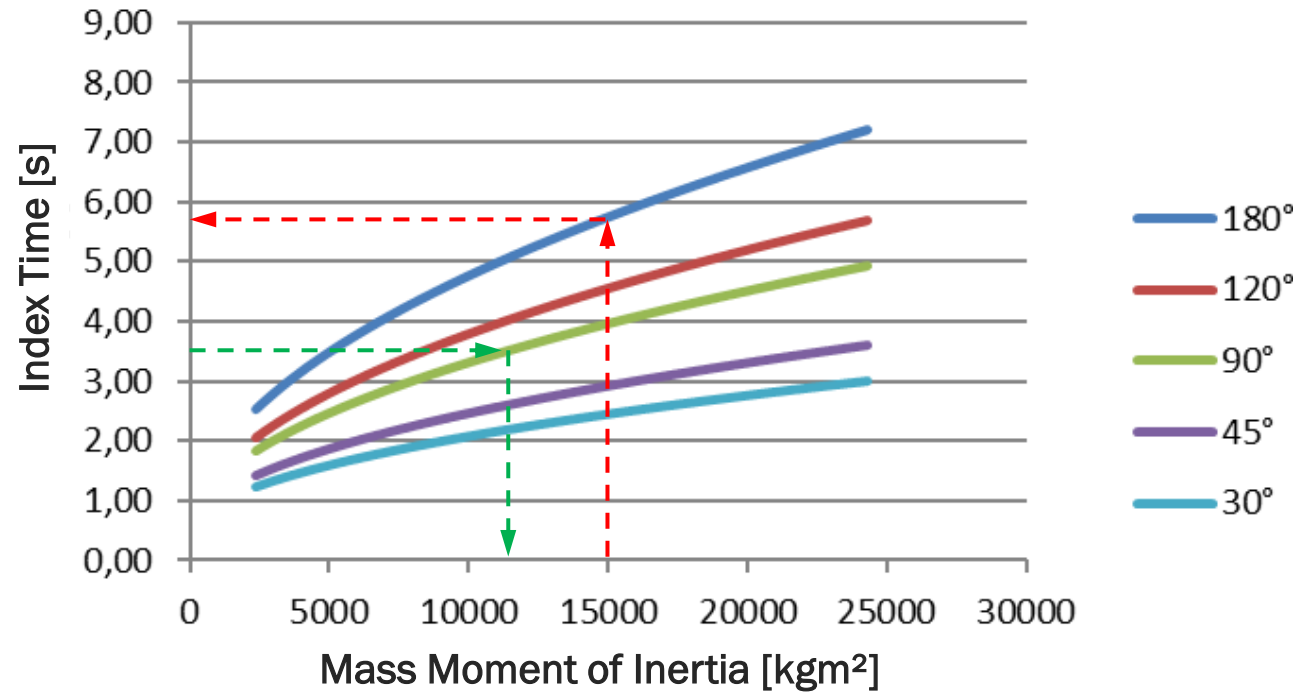
Performance data

- Up to 67% more torque with similar installation space

Type	M _{Output} (100% Usage factor) [Nm]	Torque Improvement (100% Usage factor) [%]
EDH610	900	
EDH⁺610	1.500	+ 66,7
EDH700	1.500	
EDH⁺700	2.400	+ 60
EDH810	4.000	
EDH⁺810	6.400	+ 60
EDH960	8.000	
EDH⁺960	11.000	+ 33
EDH1170	15.000	
EDH⁺1170	20.000	+ 33

PERFORMANCE DIAGRAM

TECHNICAL DATA EDH+960

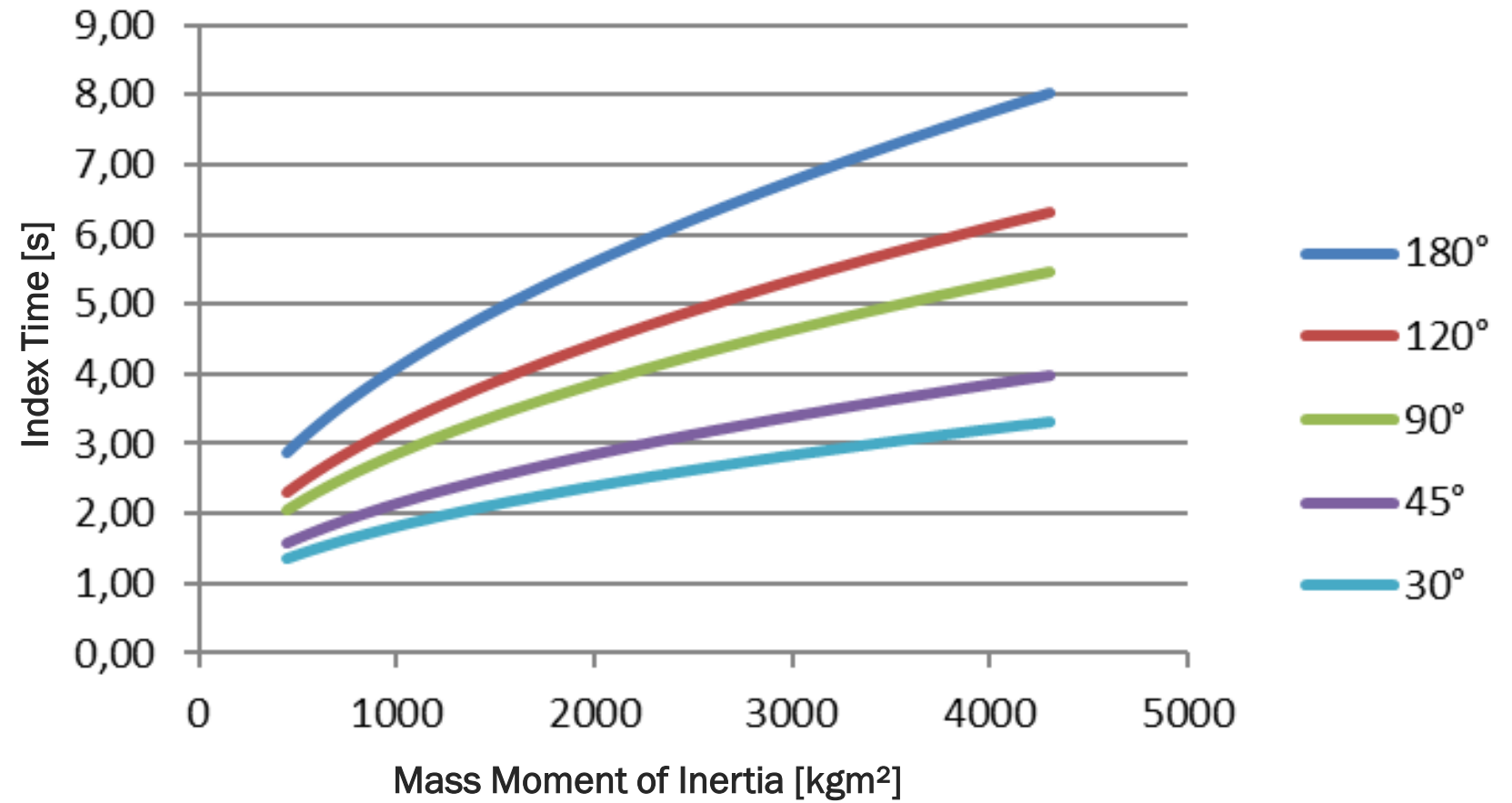


Reading example: 15000 kgm² → 180° → 5,7 s

Reading example: 3,5 s → 90° → 11400 kgm²

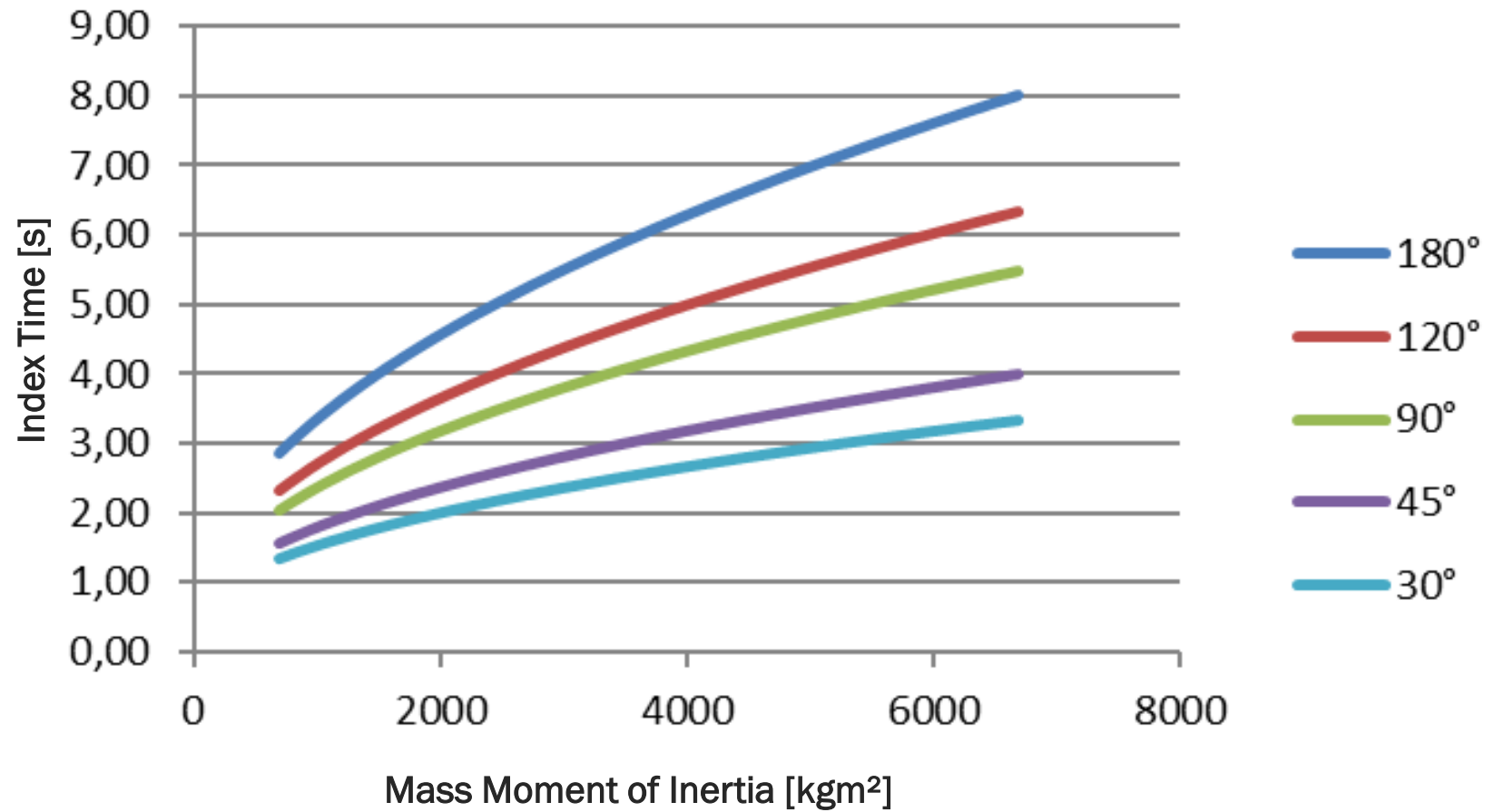
PERFORMANCE DIAGRAM

TECHNICAL DATA EDH+610



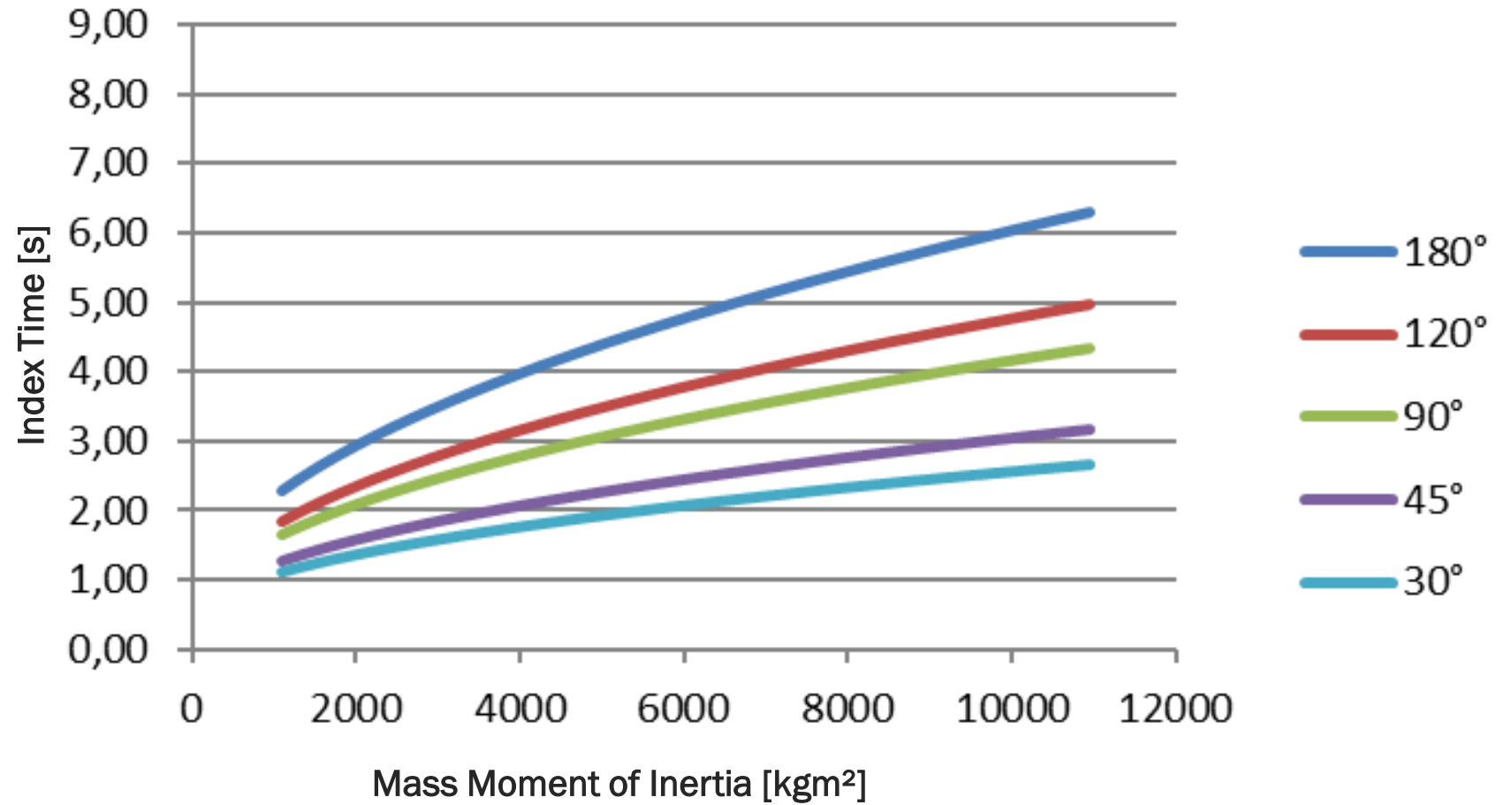
PERFORMANCE DIAGRAM

TECHNICAL DATA EDH+700



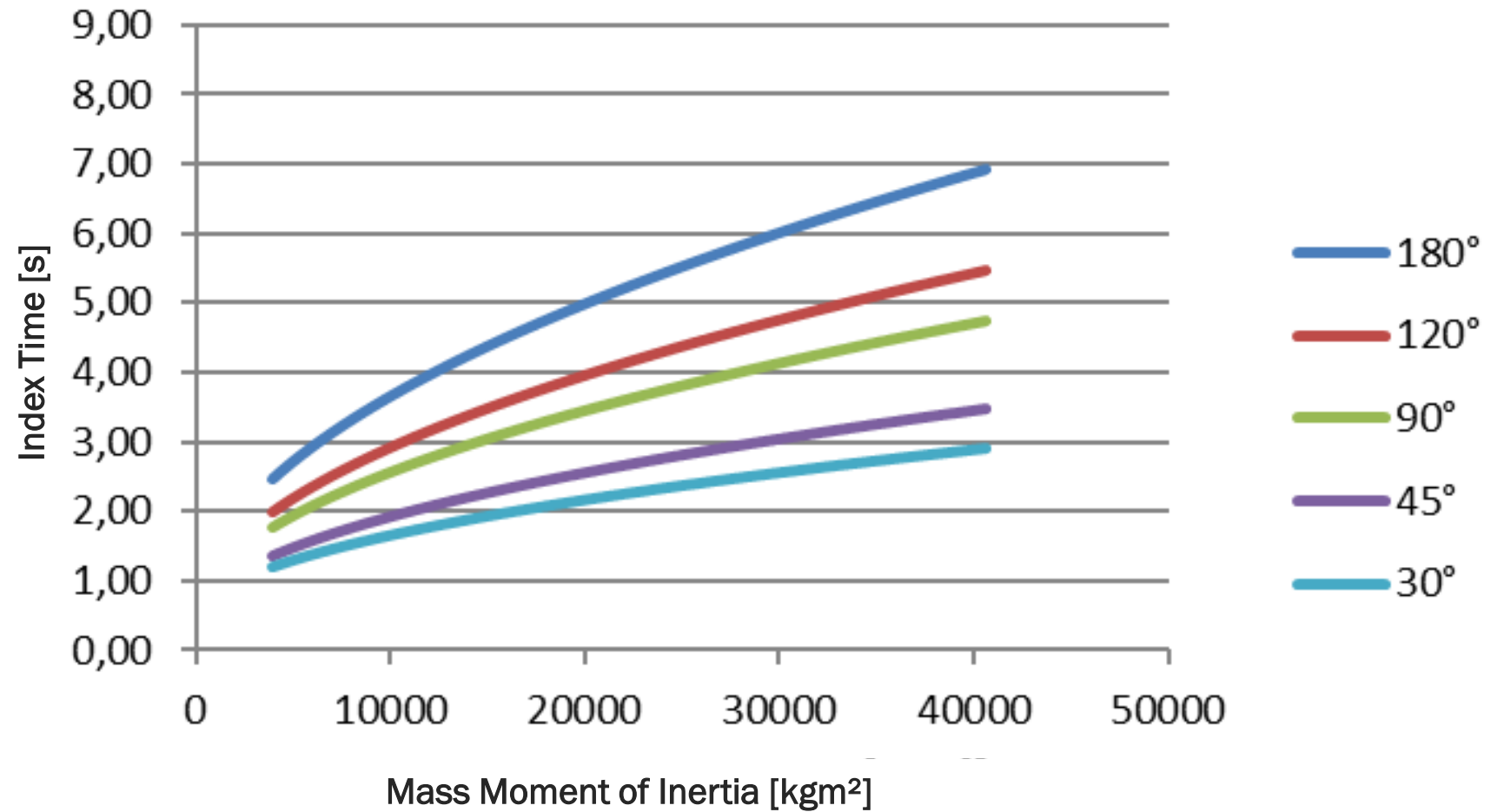
PERFORMANCE DIAGRAM

TECHNICAL DATA EDH+810



PERFORMANCE DIAGRAM

TECHNICAL DATA EDH+1170



GEOMETRICAL DATA

Type	Ø-Dialplate	Height	Maximal Axial Load
EDH ⁺ 610	360 mm	190 mm	2.200 kg
EDH ⁺ 700	450 mm	240 mm	6.000 kg
EDH ⁺ 810	560 mm	280 mm	8.000 kg
EDH ⁺ 960	710 mm	310 mm	10.000 kg
EDH1070	820 mm	340 mm	11.000 kg
EDH ⁺ 1170	920 mm	360 mm	13.000 kg
EDH1270	1.020 mm	410 mm	19.000 kg
EDH1370	1.120 mm	420 mm	22.000 kg
EDH1600	1.350 mm	480 mm	26.000 kg
EDH2050	1.800 mm	480 mm	37.000 kg
EDH2550	2.300 mm	450 mm	47.000 kg
EDH3250	3.000 mm	600 mm	64.000 kg

SOME REFERENCES

OEMs



Tier 1 & Suppliers



Integrators



Other Branches and Fields



THANK YOU



 **TÜNKERS**[®]
Erfindergeist serienmäßig.

