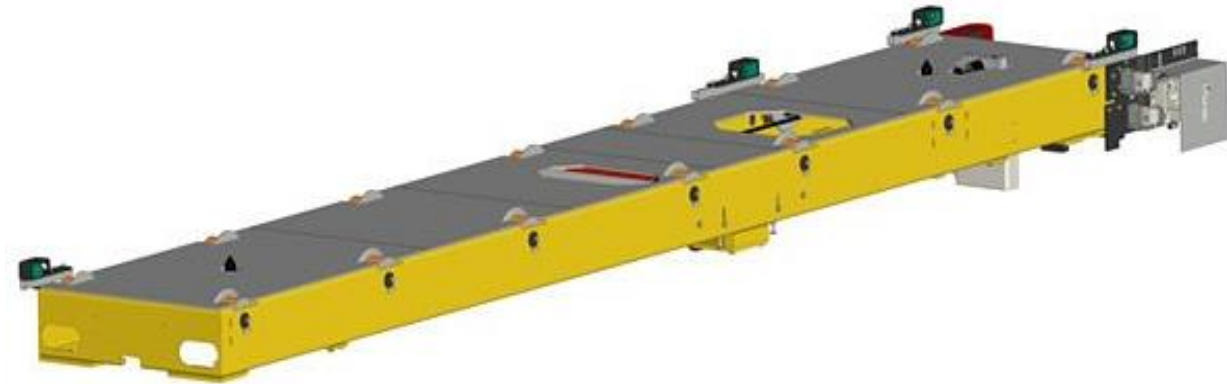




EXPERT ROLLERBED EFR-SERIES



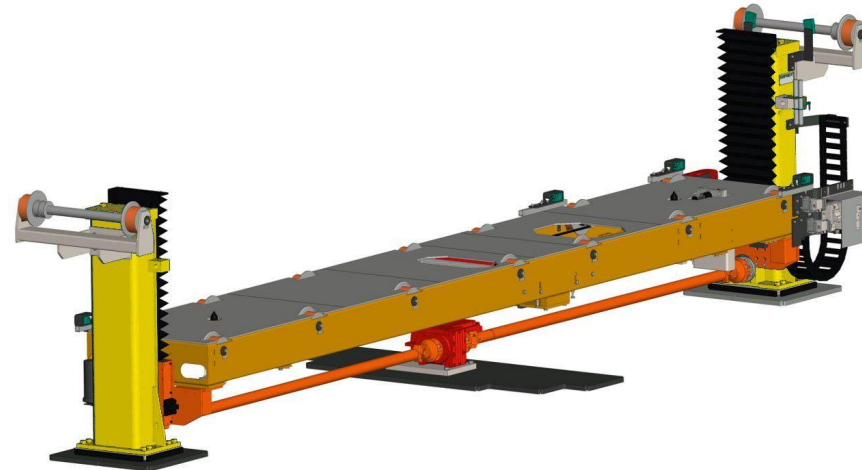
TRANSPORTING TECHNOLOGY | FEB 2024 | EXTERNAL



EXPERT Rollerbed as a module

EXPERT-TÜNKERS stands for products where large loads have to be moved and positioned quickly in automation cells.

EXPERT-TÜNKERS, on the other hand, has so far primarily provided **complete systems** for lifting and linear movements, such as powered roller beds and buffer lines.

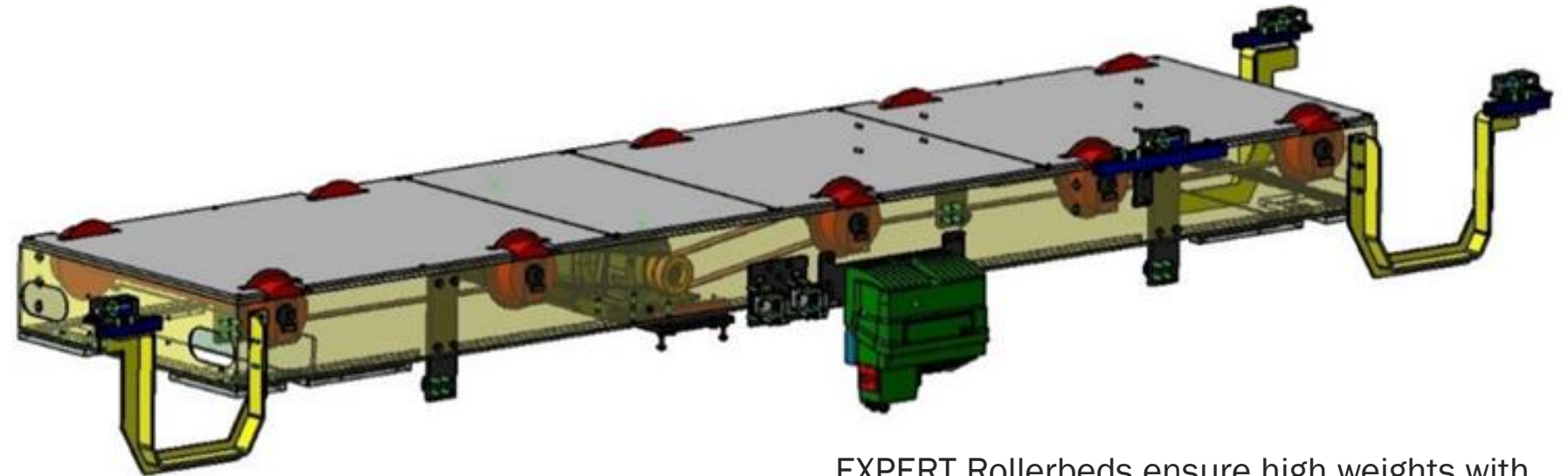


The linear components that have proven themselves in these systems.
Now they have been standardized as an independent series and as a ready-to-use **module**.

The new EFR series is based on state-of-the-art technologies and innovative engineering.

Linear motion is achieved with the help of efficient toothed belts and massive roller axles.

The result is a very compact and robust basic design that guarantees maximum performance and reliability.



EXPERT Rollerbeds ensure high weights with fast movement combined with precise positioning thanks to their robust design and high-quality materials.

Standard

Side and front frames laser cut made of one frame piece

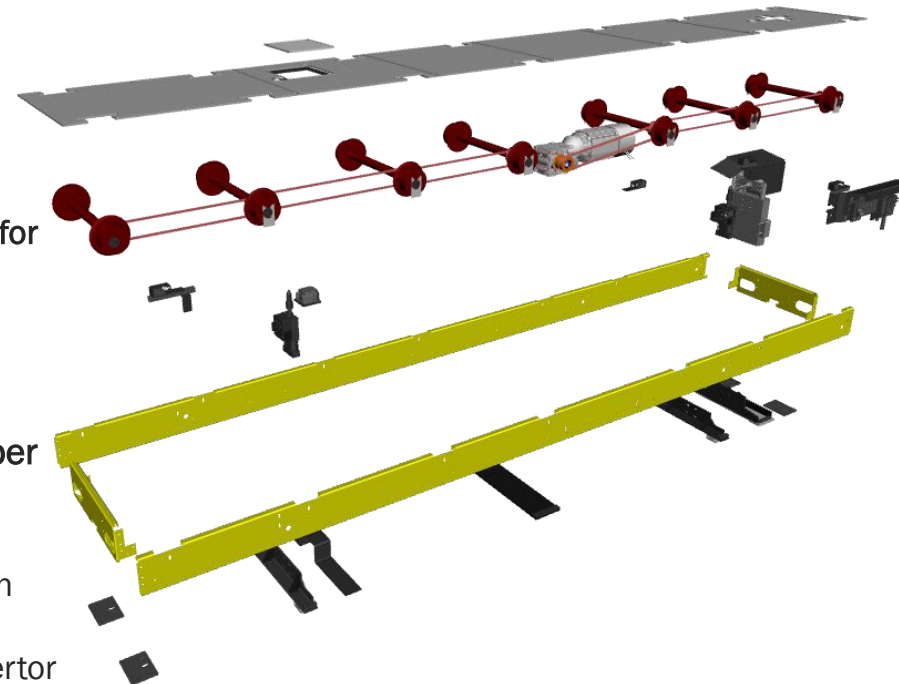
Walkable Aluminium step covers

Rollers with eccentric rings for precise adjustments

TÜNKERS Safety-stopper with Damper

Drive:

- Geared motor with tooth belt
- Motor/Frequency convertor / Brake Resistors



Optional

TÜNKERS Skid-locator

Valve island

Frequency Inverter

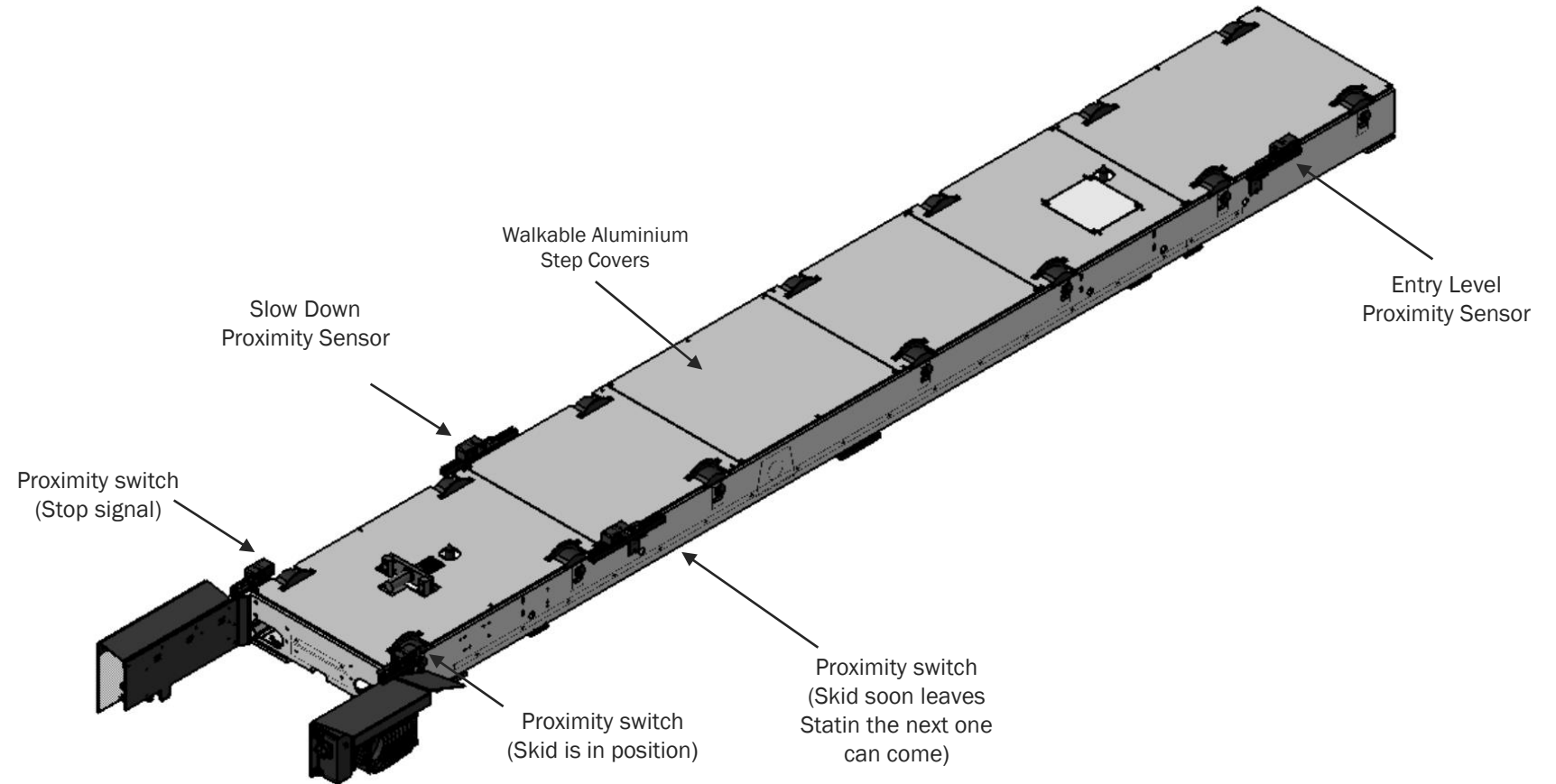
Unit electrics complete pre-installed

Unit pneumatics complete pre-installed

Expert Rollerbed

Type Classes

Type Classes	Frame Height Wall thickness (mm)	Nominal load capacity (kg)	Nominal support width (mm)
Type 1	220/5	820	5000
Type 2	220/8	1630	6000
Type 3	300/8	2511	7000



Assembly EFR type 1

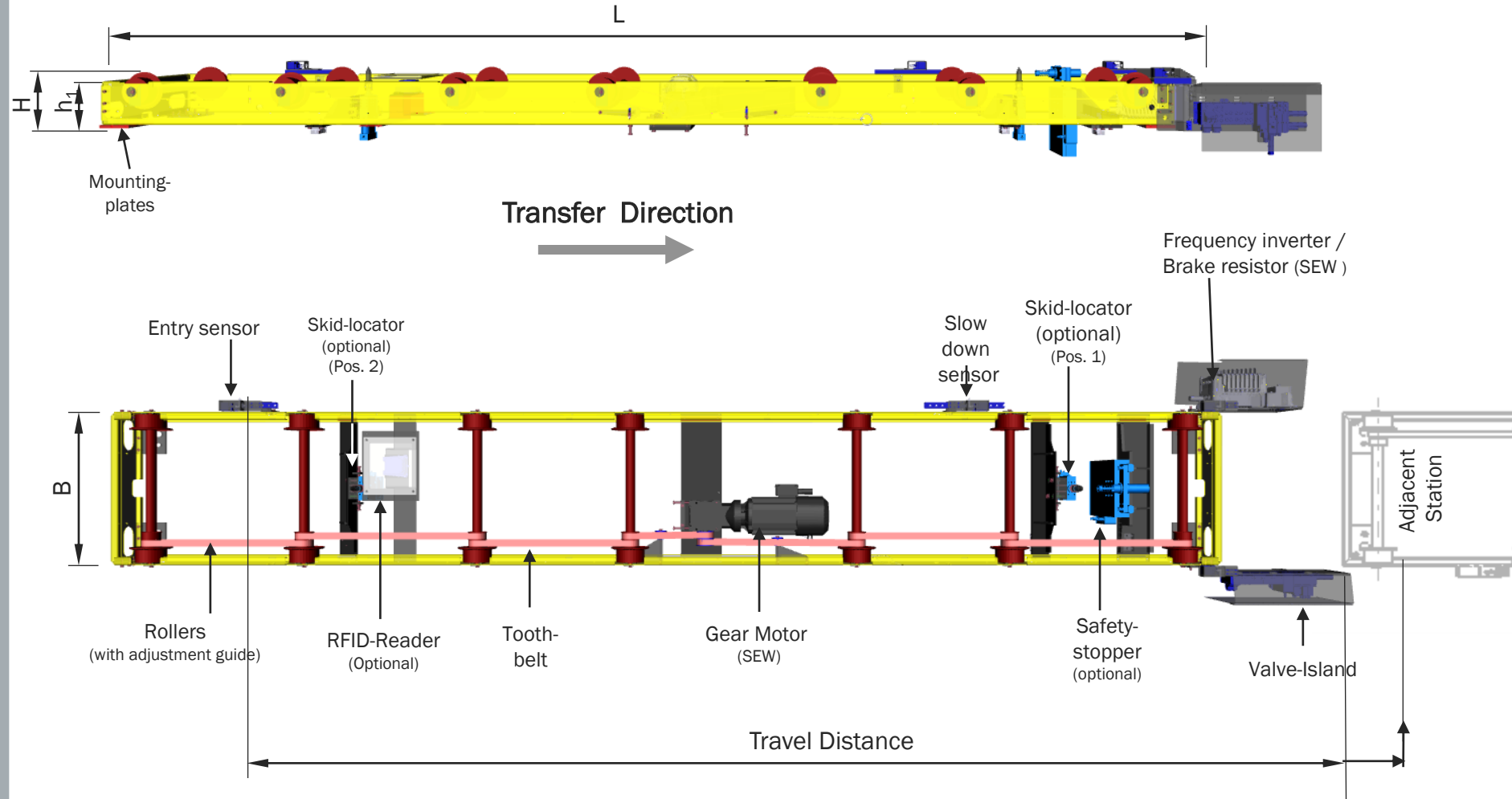
EFR - Type 1

Technical data sheet
Rollerbed

Key data

Length L* (mm)	3500	4500	5000	5500
Frame height (mm)	220			
Height H* (mm)	252,5 (Plate thickness -5mm)			
Wall thickness (mm)	5			
Wide B* (mm)	744/779/881			
Weight (kg)	615	665	700	735
Position of the Motor	Center (Abb. 1)			

*Special sizes available on request

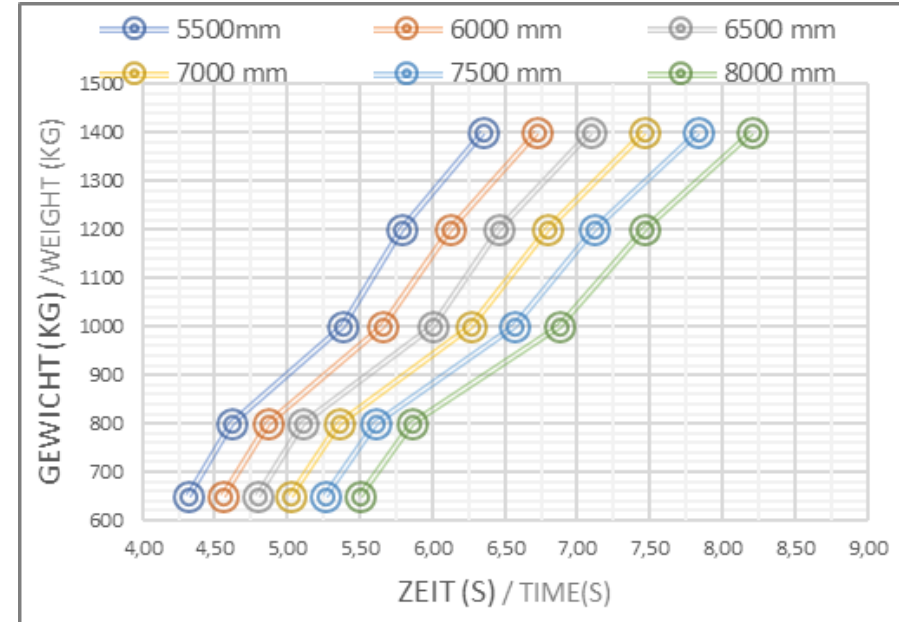
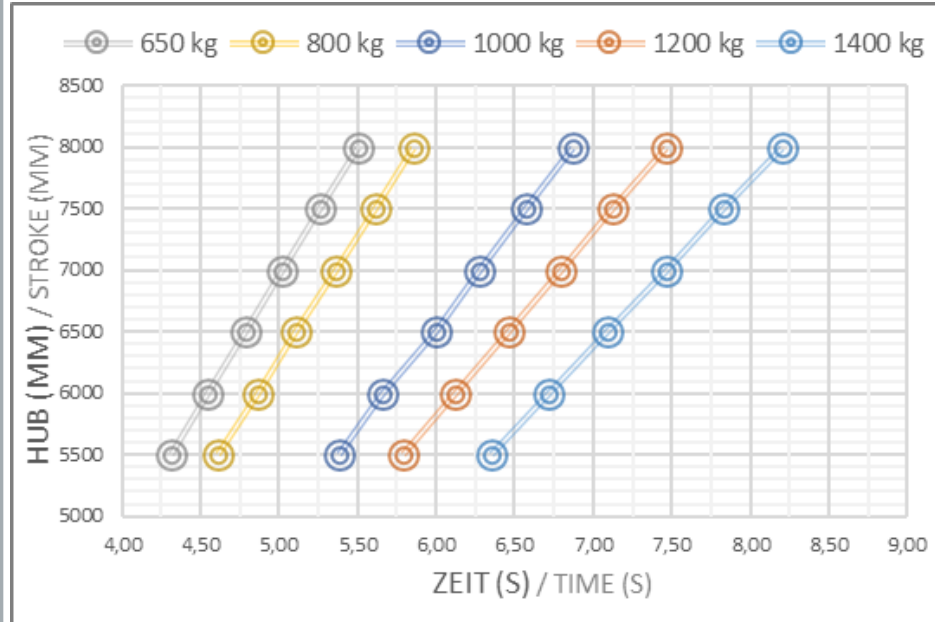


3) Maximum station distance without support bracket: 1400mm

Driven support bracket: Maximum distance between two motorized rollers: 2000 mm

Passive support bracket: Maximum distance between the last motorized roller and a passive Roller: 600 mm

Comparison of Rollerbed lengths, loads and travel time



* The lifting times were determined for standard configurations, deviations are possible

Further application example

Accessories

- Walkable step cover
- Individual adaptation of the sensors to the movement profile
- Separate console for valve islands and frequency inverters
- Base frame for stationary rollerbed
- Support consoles motorized / non-motorized, can be used between two stations if required

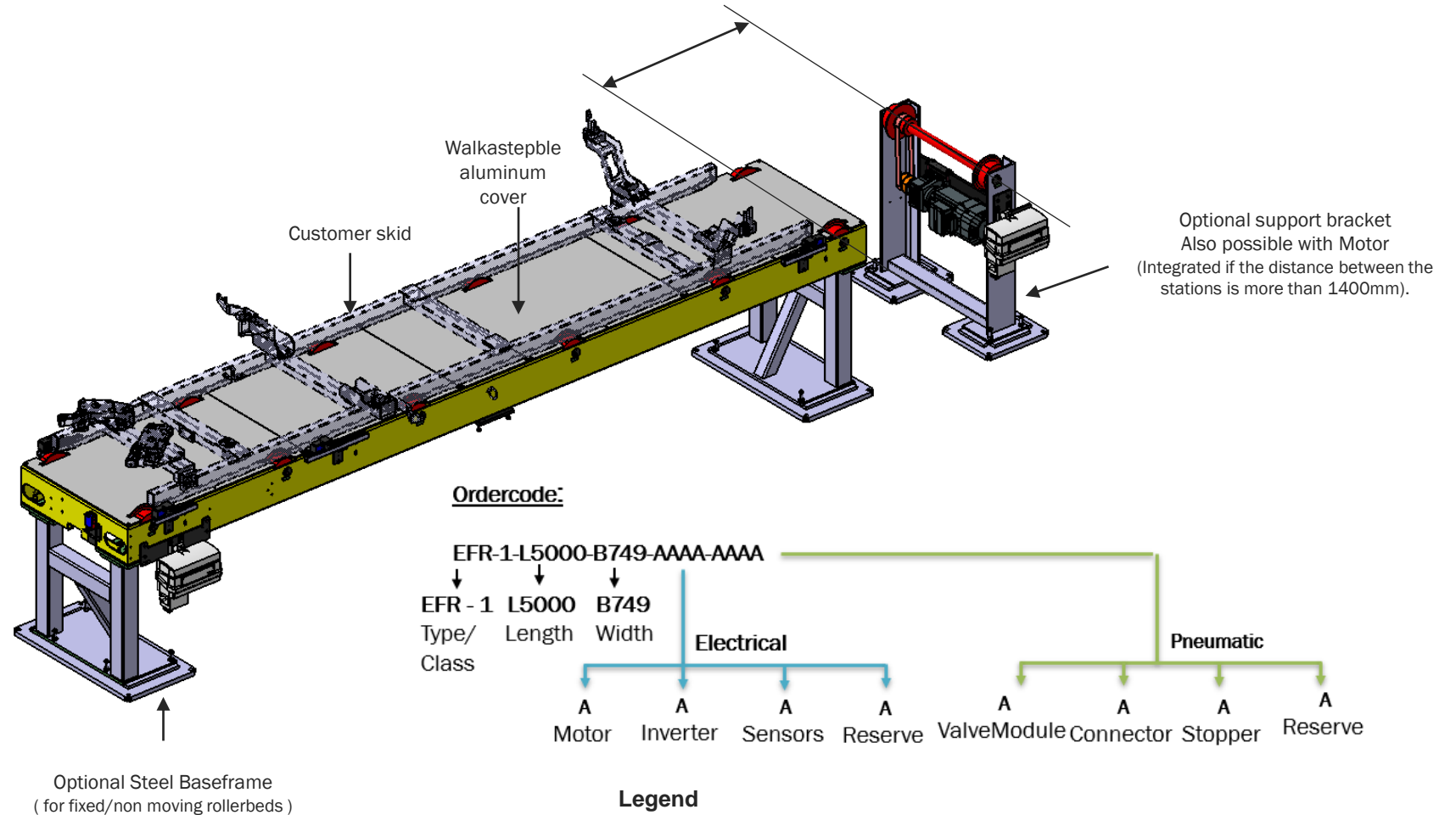
Product details:

https://www.expert-tuenkers.de/products/transporting-technology/efr-rollerbed/mn_48023?sprache=EN

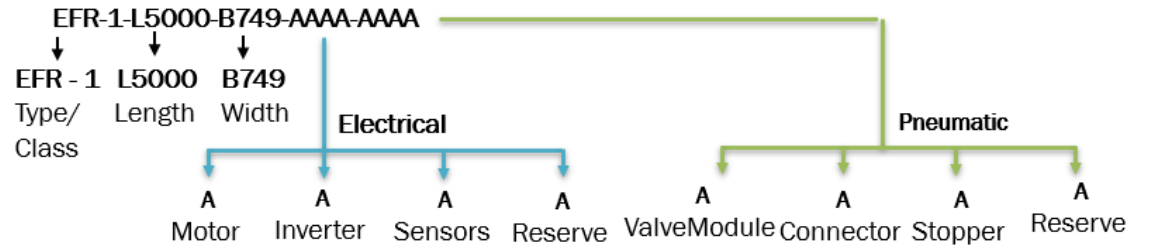
Contact Person:

www.expert-tuenkers.de > Vertrieb

For further information and project inquiries, please contact us at salvesvb13@expert-tuenkers.de



Ordercode:



Legend

- N – Not required
- A – Standard
- B – Customized
- C – Project
- D – Other

* (please enter the head when purchasing base frames or support brackets)

A **ring buffer**, constructed with several EXPERT roller conveyors (EFR), enables the fully automated removal and buffering of parts, such as car bodies, in industrial applications



[\(Link details, photos, videos\)](#)

Application example

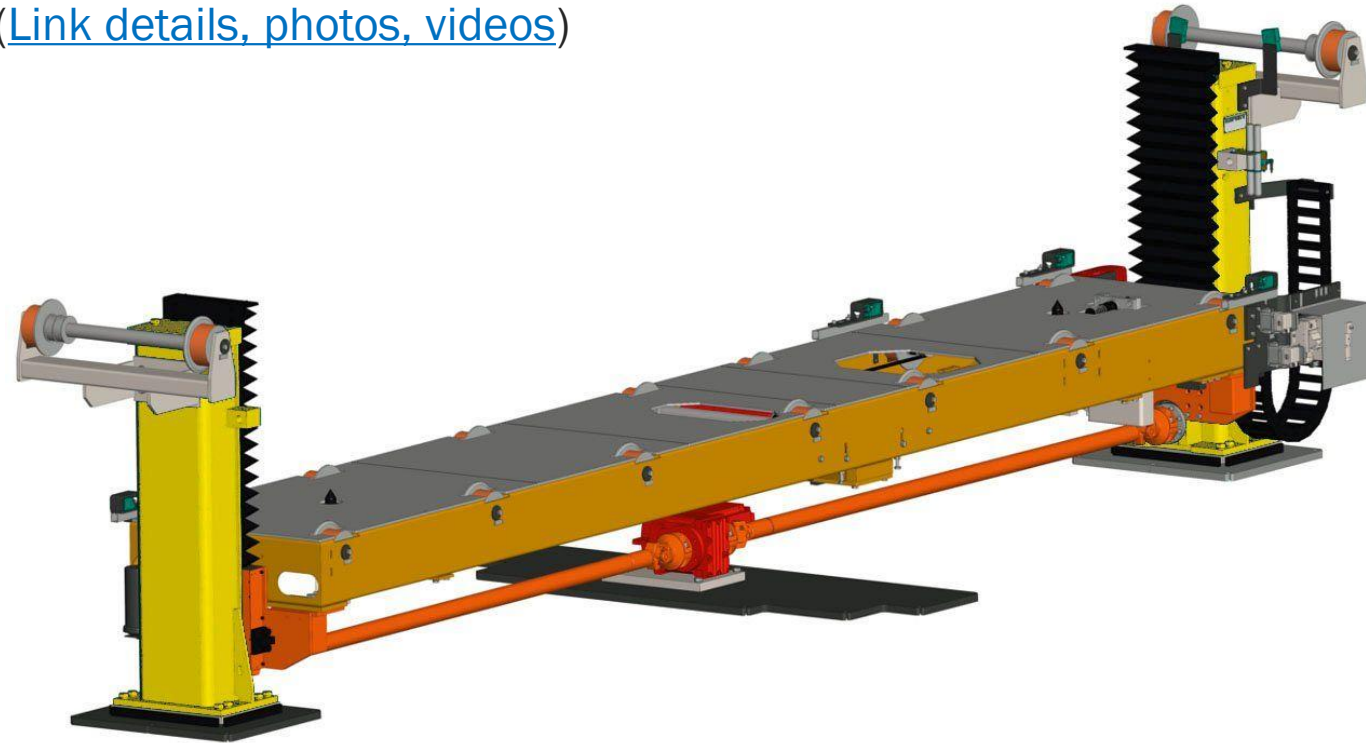
Rollerbed for skid conveyor technology

Please contact us to
configure your lifting task
together!

Lift Power Rollerbed

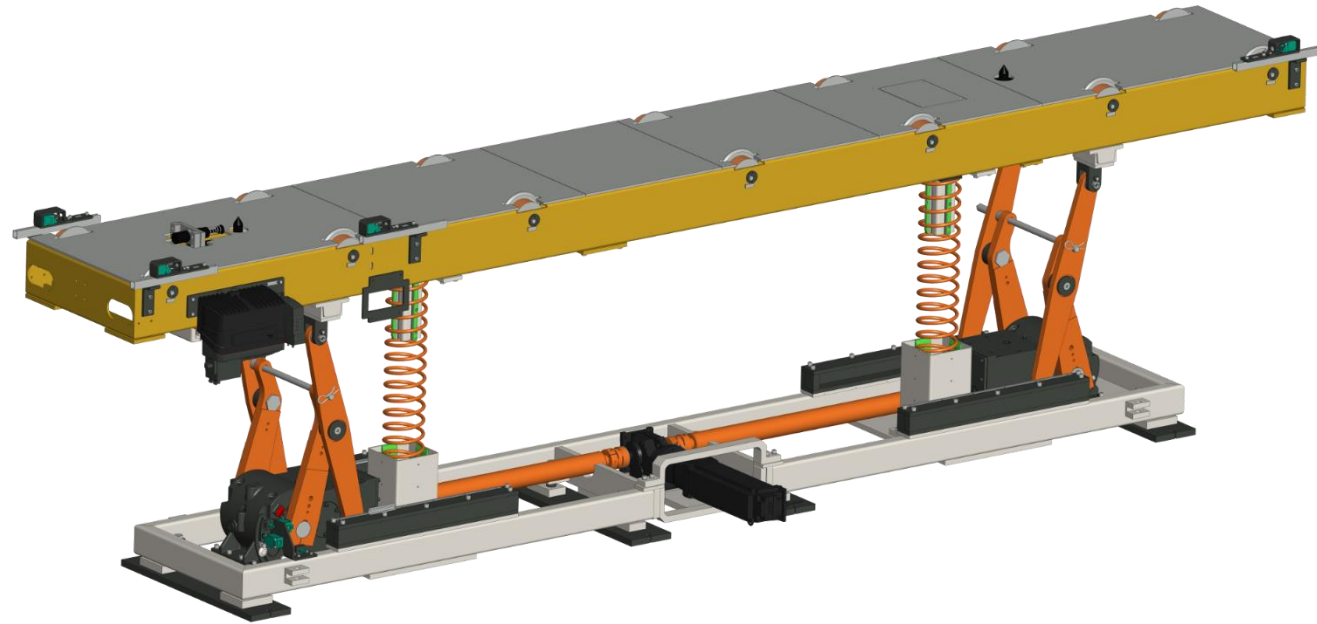
Skid conveyor system consisting of two EH12 lifting columns and separate rollerbeds

Use up to 8 m span and up to over 2 t total transport weight
([Link details, photos, videos](#))



Possible with cardan shaft or master slave system.

The EXPERT-TÜNKERS dual box lifter is a flat rollerbed lifter with an integrated spring compensation system that has been developed to lift and transport heavy loads precisely and efficiently.



[\(Link, details, photos, videos\)](#)

Data sheets

EFR – Type 1 > [20240206_NMA_datenblatt_ROLLENBAHN_EFR_TYP1_EN](#)

EFR – Type 2 > Link (Coming Soon)

EFR – Type 3 > Link (Coming Soon)

Standard 3D-models

EFR – Type 1 > [Length 5500mm_3D_Dummy](#)

EFR – Type 2 > Link (Coming Soon)

EFR – Type 3 > Link (Coming Soon)

Further
Versions and models
available on request

References

OEMS



Tier 1 & suppliers



Line Builder



Other markets & area





Thank you for your
attention

Contact:
Nuno Martins

EXPERT-TÜNKERS GmbH
Seehofstr. 5658
64653 Lorsch

Telefon +49 (0) 6251 / 592330
Mobile +49 (0) 172 / 5780811
Telefax +49 (0) 6251 / 592100

E-Mail nmartins@experttuenkers.de
Internet www.experttuenkers.de

